

IT SERIES

LED AREA/SHOEBOX LIGHT

Power: 75W-265W, up to 1000W replacement

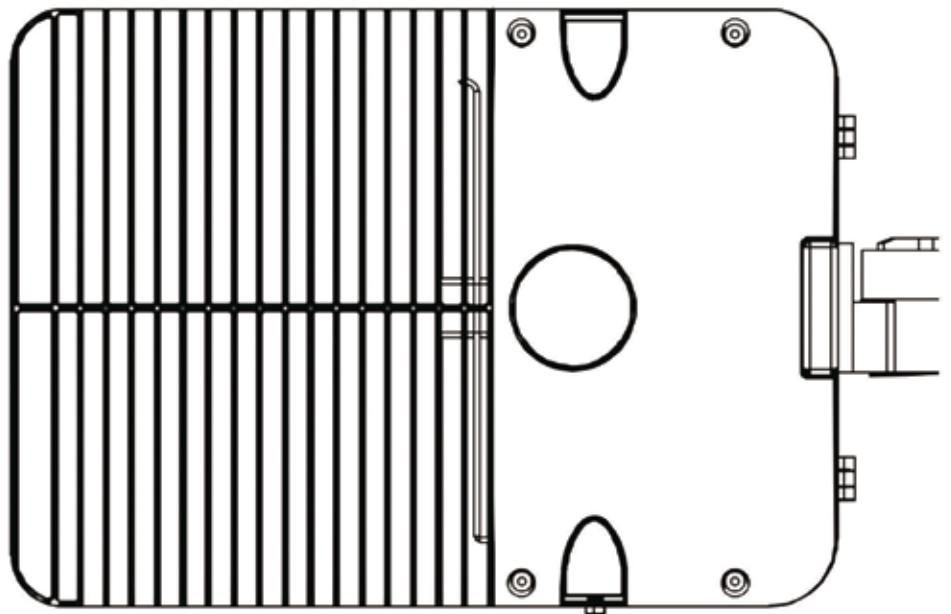


Talk to one of our LED consultants today!

(800) 426-3938 • (319) 653 3198

info@sitlersupplies.com

www.sitlersledsupplies.com



UP TO **130** LM/W

Overview

Designed for parking lot, tennis court and other area lightings

Power 75W-265W, up to 1000W replacement

Built-in occupancy sensor & photocell sensor available

Entire luminaire following Title 24

3000-6500K, 100-277VAC / 347VAC/ 480VAC, Ra>70/80

1-10V dimming, up to 20KV surge protection available

Optical grade polycarbonate lens material

Multiple brackets & fixture colors customizable

Type III, IV, V/frosted lens available and customizable

IP66&IK10 resistance & smart system upgradable



Slip Fitter Bracket



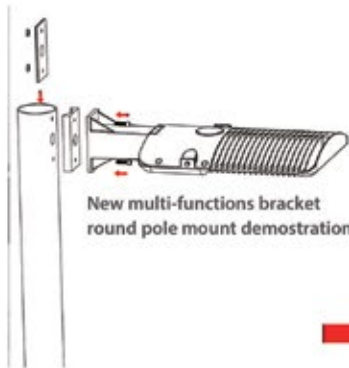
Trunnion Mount Bracket
(for flood lighting application)



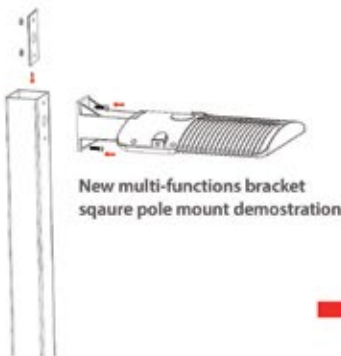
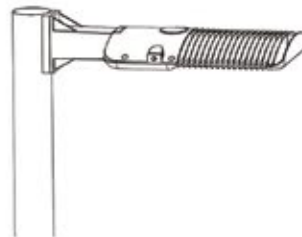
Yoke Mount Bracket
(for wall mount)



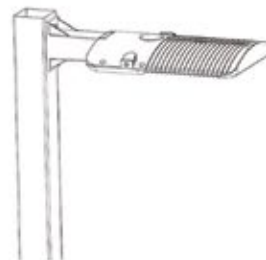
New Multi-Function Bracket
(for both square & round poles)




New multi-functions bracket
round pole mount demonstration



New multi-functions bracket
square pole mount demonstration



 black / brown color fixtures optional

Warranty Terms

5 year standard warranty and up to 10 year extra warranty available

Covers repair/replacement and shipping cost of failed unit

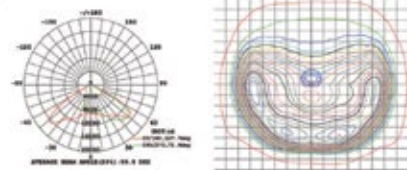
Please check with AOK sales representative for the details



Billboard Lighting Application



AOK iT series is also an ideal choice of outdoor billboard on the highway. Its 70°130° lens can perfectly cover the surface of the billboard advertisement.



iT series standard light distribution chart

Area Lighting Application



iT series parking lot project for Lexus car dealership

Antec New iT series parking lot light is using Type IV 70°130° beam angle as its main option. This lens is perfectly suitable for outdoor parking lot lighting and outdoor area lighting.

The parking lot lighting is different from the street lighting. Now the Type IV distribution is widely recognized as the standard option for parking lot. The light is evenly covered on the ground and just covered the area we want to illuminate.



AOK iT Series

LED Area / Shoebox Light



This product is UL/cUL, DLC, FCC, SAA, CE and RoHS certified



Model	AOK-75WiT	AOK-110WiT	AOK-150WiT
Nominal Wattage	75W	110W	150W
Replacement	250W	400W	500W
Maxium Current	0.85A	1.25A	1.67A
Input Voltage	100-277VAC / 347VAC / 480VAC		
Dimming	1-10V		
Accessories	Occupancy sensor & smart system available		
Operating Temperature	-40 ™ ~122 ™		
Power Factor (PF)	>0.95		
THD	<15%		
Lumen Output (+/- 5%)	10698lm @76.68W, 5700K	14057lm @108.3W, 5700K	18960lm @150.4W, 5700K
System Efficacy	139.51lm/w @5700K	129.8lm/w @5700K	126.06lm/w @5700K
Optical Lens	Type III, IV, V		
CRI	Ra>70 / Ra>80		
CCT	3000-6500K		
IP&IK Rating	IP66 & IK10		
Materia	Die-cast alumium		
Housing Color	Black, brown, white		
Lifespan	>50000 hours @L70		
Fixture Dimensions	22*11*3" (56*28*7.5cm)		
Net Weight	15 lbs (7kg)		
Carton Dimensions	27.5*15*6.7" (70*39*17cm)		
Gross Weight	20 lbs (9kg)		
Packing	1 Pcs per carton		

AOK iT Series

LED Area / Shoebox Light



This product is UL/cUL, DLC, FCC, SAA, CE and RoHS certified



Model	AOK-180WIT	AOK-225WIT	AOK-265WIT
Nominal Wattage	180W	225W	265W
Replacement	600W	800W	1000W
Maxium Current	2.0A	2.5A	2/95A
Input Voltage	100-277VAC / 347VAC / 480VAC		
Dimming	1-10V		
Accessories	Occupancy sensor & smart system available		
Operating Temperature	-40 ™ ~122 ™		
Power Factor (PF)	>0.95		
THD	<15%		
Lumen Output (+/- 5%)	25328lm @176.7W, 5700K	28408lm @222.6W, 5700K	33925lm @273.4W, 5700K
System Efficacy	143.34lm/w @5700K	127.62lm/w @5700K	124.09lm/w @5700K
Optical Lens	Type III, IV, V		
CRI	Ra>70 / Ra>80		
CCT	3000-6500K		
IP&IK Rating	IP66 & IK10		
Materia	Die-cast alumium		
Housing Color	Black, brown, white		
Lifespan	>50000 hours @L70		
Fixture Dimensions	25*14*3" (64*35*7.5cm)		
Net Weight	21 lbs (9.5kg)		
Carton Dimensions	30*17*6.7" (76*44*17cm)		
Gross Weight	26.5 lbs (12kg)		
Packing	1 Pcs per carton		