

LED Dusk to Dawn Light

Outdoor



55W

Features

- Low-copper, die-cast aluminum housing
- Silver polyester powder-coat finish
- UV-stabilized acrylic prismatic refractor with self-retaining screws
- 3/4" conduit entry on top for pendant mounting
- 1/2" conduit entries on two sides
- Wet locations - covered ceiling mount only
- Not intended for use with direct exposure to high-pressure water

Recommended Use

- Security
- Entryways
- Perimeter Lighting
- Exterior canopies

Advantage

- IP65 Internal driver, Input voltage 100-277VAC
- No UV or IR in the beam
- Easy to install and operate
- Energy saving, Long lifespan
- Instant start, NO flickering, NO humming
- Green and eco-friendly without mercury.

Input Voltage

- 100-277V 50/60Hz

Qualification



Sitler's
LED
SUPPLIES

Talk to one of our LED consultants today!

(800) 426-3938 • (319) 653 3198

info@sitlersupplies.com

www.sitlersledsupplies.com

LED Dusk to Dawn Light

Product

PRODUCT NAME	LED Dusk to Dawn Light
SKU #	150027
MODEL #	BLT-ST01-055AAA1

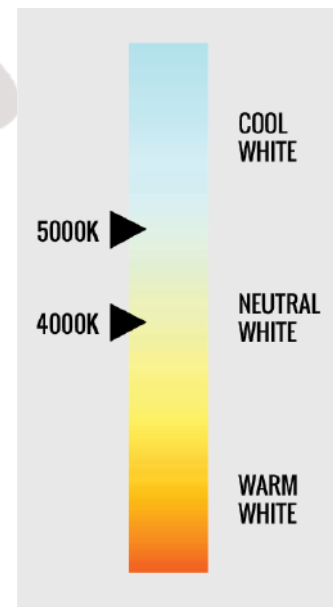
Specifications

COLOR TEMPERATURE	5000K
CCT OPTIONS	4000K & 5700K
LUMEN	6700LM
CONSUMPTION	55W
VIEWING ANGLE	103°
INPUT VOLTAGE	100-277V - 50-60Hz
DRIVER MODEL	China Brand Driver
PFC	≥0.9
WATERPROOF RATING	IP65

Fixture Specifications

LED BRAND	Philips
LED TYPE	Luxeon 3030 2D (1.5W)
LED QTY	56 PCS
HOUSING	Aluminum
HOUSING COLOR	Silver

CORRELATED
COLOR TEMPERATURE
(CCT)



Others

OPERATING TEMPERATURE	APPLICATION	CRI	BEAM ANGLE	DIMMABLE
-4°F - 104°F	Outdoor	>80	103°	No

Warranty & Qualification

WARRANTY	UL LISTED	DLC
5-Year Limited	Yes	Yes

Due to continuous product improvement, information in this document is subject to change.

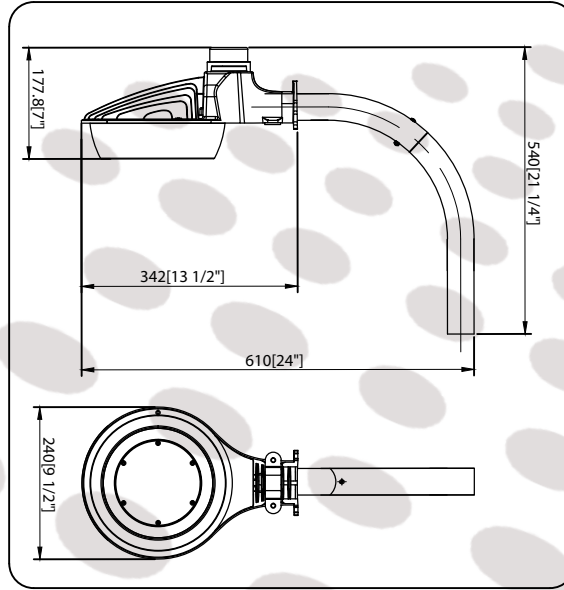
Revision Date: 05/23/2017

2725 Mountain Industrial Blvd. Suite A-5 | Phone: (866) 786-1117 | www.beyondledtechnology.com

Talk to one of our LED consultants today! (800) 426-3938 • (319) 653 3198 | info@sitlersupplies.com | www.sitlersledsupplies.com

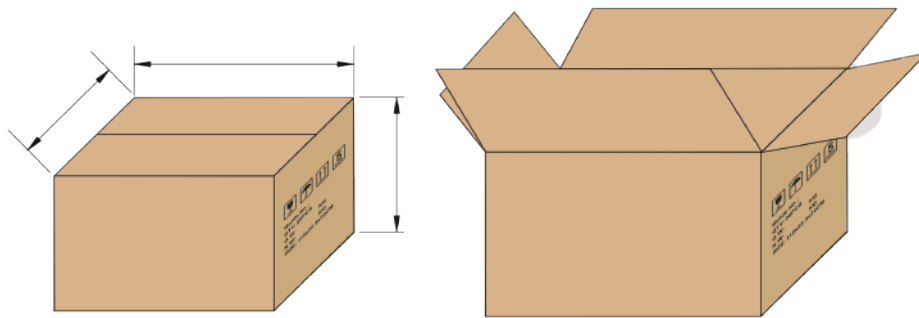
LED Dusk to Dawn Light

Drawing



Package

	Gross Weight	Qty/Carton	Carton Size
Inner Box	14.8 lbs	1	14.1" x 9.8" x 5.9"
Master Box		2	



Notice For User

- Please turn off power before install or change assembly parts.
- The input voltage and lamps should be matched, after connecting the power line, Please make sure the wiring section is insulated
- Licensed Electrician Installation ONLY.

Due to continuous product improvement, information in this document is subject to change.

Revision Date: 05/23/2017



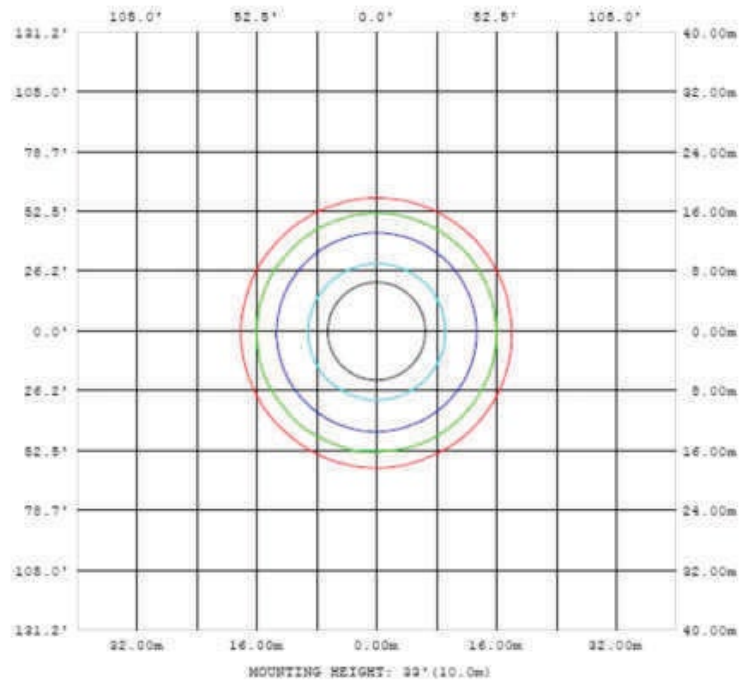
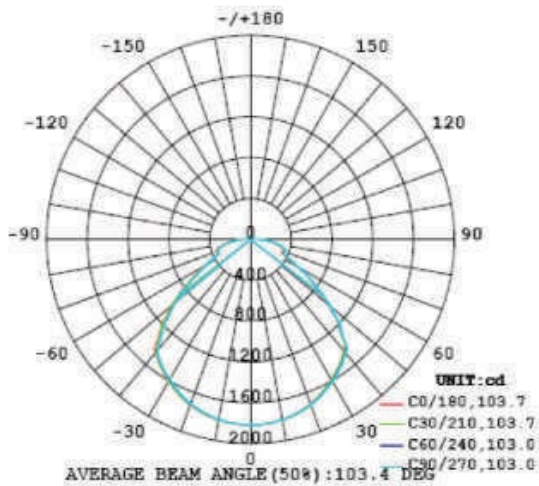
Talk to one of our LED consultants today! (800) 426-3938 • (319) 653 3198 | info@sitlersupplies.com | www.sitlersledsupplies.com

LED Dusk to Dawn Light

Light Distribution Testing Parameters

LED DUSK TO DAWN LIGHT

PHOTOMETRY



Due to continuous product improvement, information in this document is subject to change.

Revision Date: 05/23/2017

Talk to one of our LED consultants today! (800) 426-3938 • (319) 653 3198 | info@sitlersupplies.com | www.sitlersledsupplies.com

