

UFO 2nd Gen Series

Outdoor / Indoor
LED High Bay Light



150W

Our Long Lifespan UFO LED High Bay Light Is In High Demand!

Features

- Philip LED chip
- Die cast heat sink
- Up to 130 lumens per watt
- Dimmable
- Highly reliable Meanwell HBG Series driver

Advantage

- No UV or IR in the beam
- Easy to install and operate
- Energy saving, long lifespan
- Instant start, NO flickering, NO humming
- Green and eco-friendly without mercury
- Output constant current lever can be adjusted through output cable with 1-10V.

Recommended Use

- Security
- Factories / Workshops / Warehouses
- Gymnasiums / Shipyards / Gas Stations
- Supermarkets / School Playground / Stadium
- Wide Open Areas

Input Voltage

- 100-277Vac
- 480Vac Optional

Qualification



Talk to one of our LED consultants today!
(800) 426-3938 • (319) 653 3198

info@sitlersupplies.com
www.sitlersledsupplies.com

UFO 2nd Gen Series

Product

PRODUCT NAME	LED High Bay Light 2nd Gen
SKU #	110791
MODEL #	BLTU2HB150WDM57K

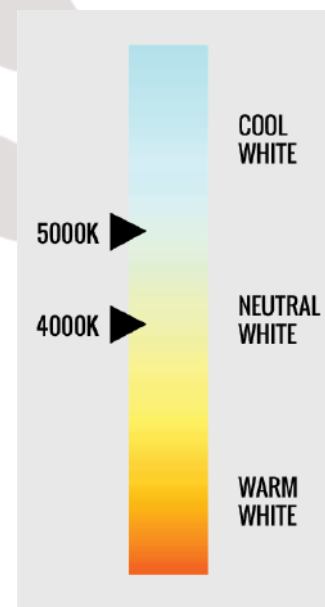
Specifications

COLOR TEMPERATURE	5700K
CCT OPTIONS	4000K & 5000K
LUMEN	19500 - 20500LM
CONSUMPTION	150W
VIEWING ANGLE	120°
INPUT VOLTAGE	100-277Vac 50/60Hz
DRIVER MODEL	HBG-160-48B (Mean Well Driver)
POWER FACTOR	>0.9
WATERPROOF RATING	Wet (IP65)

Fixture Specifications

LED BRAND	Philips Lumileds
LED TYPE	Luxeon 3030 2D (1.5W)
LED QTY	224 PCS
HOUSING	Aluminum
HOUSING COLOR	Black
COVER	Tempered Glass

CORRELATED
COLOR TEMPERATURE
(CCT)



Others

OPERATING TEMPERATURE	APPLICATION	CRI	BEAM ANGLE	DIMMABLE
-20° TO 40°	Indoor / Outdoor	>80	120°	Yes

Warranty & Qualification

WARRANTY	UL LISTED	DLC
5-Year Limited	Yes	Yes

Due to continuous product improvement, information in this document is subject to change.

Revision Date: 05/23/2017



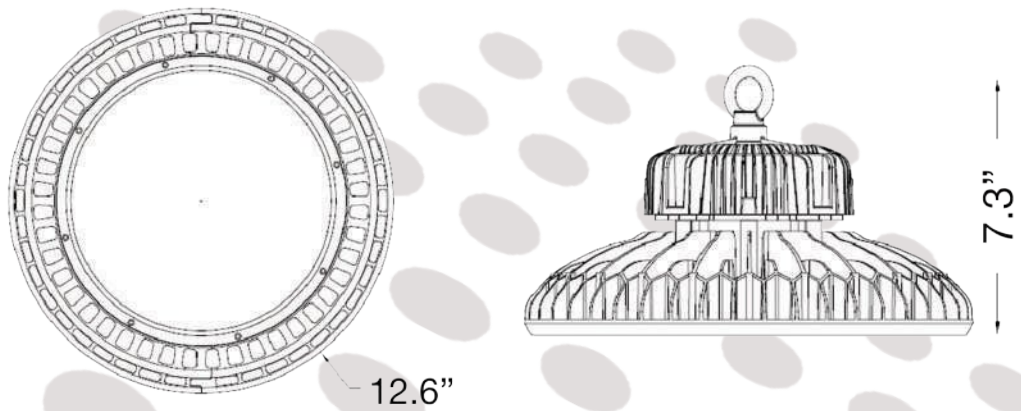
Talk to one of our LED consultants today!
(800) 426-3938 • (319) 653 3198

info@sitlersupplies.com
www.sitlersledsupplies.com

BEYOND[®]
LED TECHNOLOGY

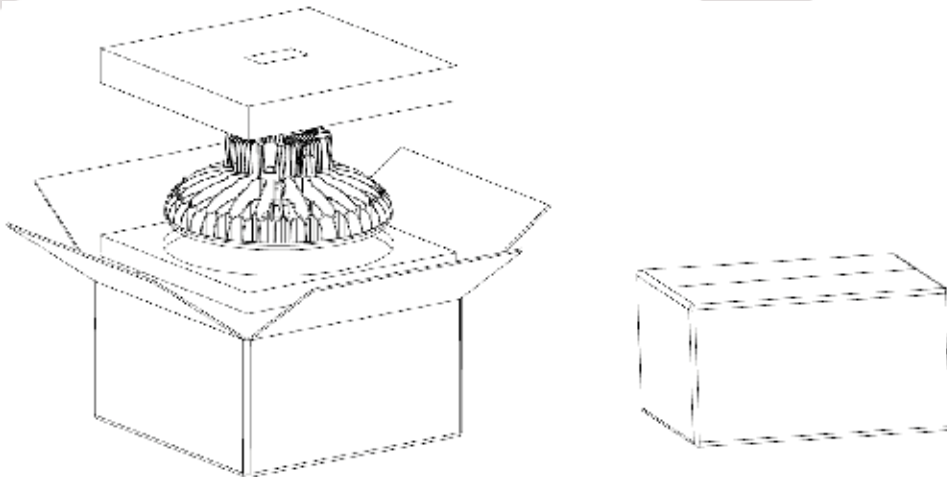
UFO 2nd Gen Series

Drawing



Package

Lamps Net Weight	Size	Qty/Carton	Weight/Carton
11.70 lbs	14.6" x 14.6" x 7.9"	1	13.9 lbs



Notice For User

- Please turn off power before install or change assembly parts.
- The input voltage and lamps should be matched, after connecting the power line, Please make sure the wiring section is insulated
- Licensed Electrician Installation ONLY.

Due to continuous product improvement, information in this document is subject to change.

Revision Date: 05/23/2017



Talk to one of our LED consultants today!
 (800) 426-3938 • (319) 653 3198

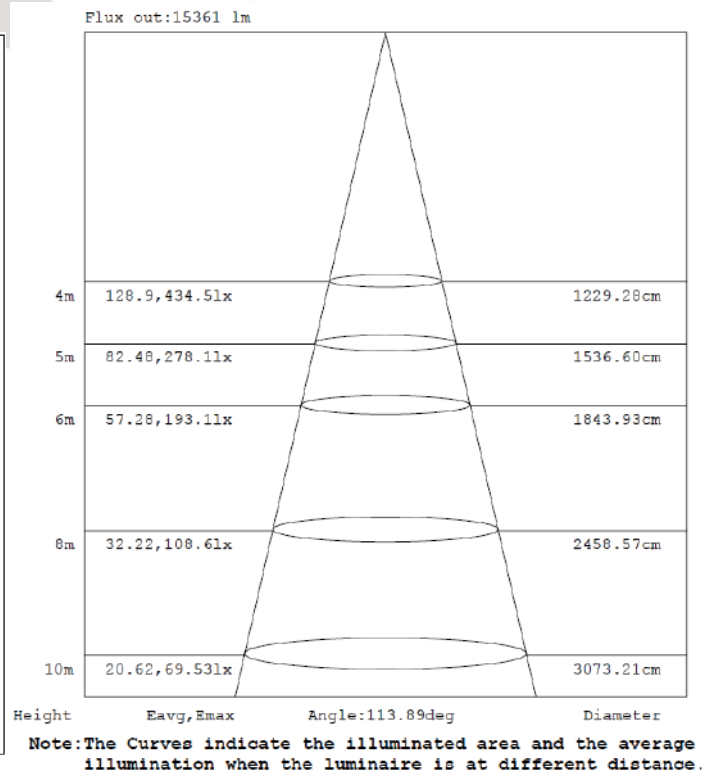
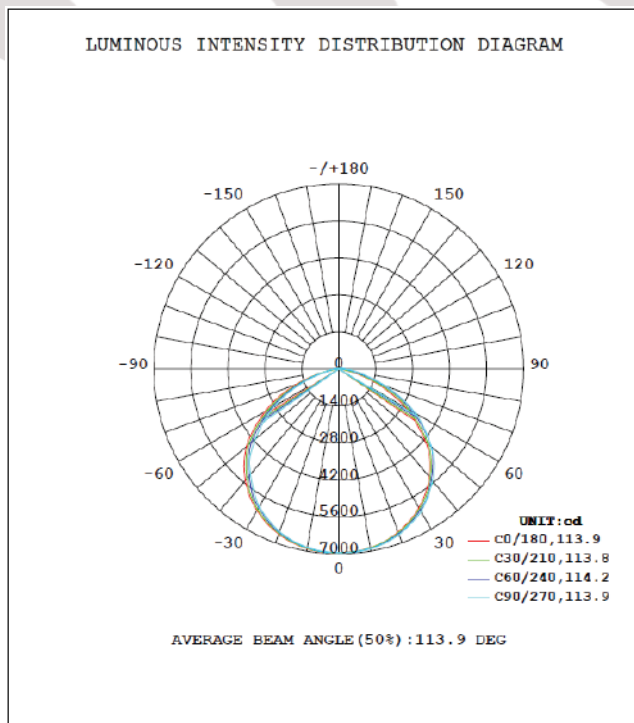
info@sitlersupplies.com
 www.sitlersledsupplies.com

UFO 2nd Gen Series

Light Distribution Testing Parameters

DATA OF LAMP		PHOTOMETRIC DATA Eff: 129.50 lm/W			
MODEL	BLTU2HB150WDM57K	Imax (cd)	6959	S/MH (C0/180)	1.32
NOMINAL POWER (W)	150	LOR (%)	100.0	S/MH (C90/270)	1.28
RATED VOLTAGE (V)	120	TOTAL FLUX (lm)	19748	η UP, DN (C0-180)	0.0, 51.8
NOMINAL FLUX (lm)	19748.4	CIE CLASS	DIRECT	η UP, DN (C180-360)	0.0, 48.2
LAMPS INSIDE	1	η up (%)	0.0	CIBSE SHR NOM	1.25
TEST VOLTAGE (V)	120	η down (%)	100.0	CIBSE SHR MAX	1.35

LED HIGH BAY LIGHT



Due to continuous product improvement, information in this document is subject to change.

Revision Date: 05/23/2017



Talk to one of our LED consultants today!
(800) 426-3938 • (319) 653 3198

info@sitalersupplies.com
www.sitalersledsupplies.com

