

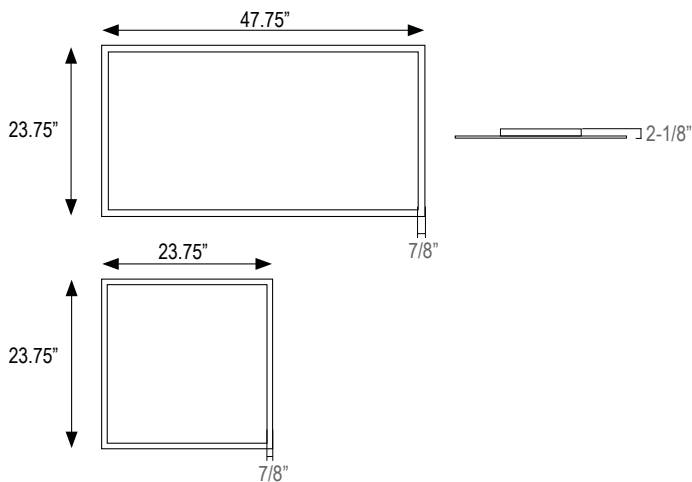
CFP

Contractor Select Flat Panel



Job Information

Type:	
Catalog #:	
Project:	
Comments:	
Prepared by:	



Description

The CFP is a contractor-focused LED flat panel luminaire that delivers the latest in high performance edge-lit LED technology for use in a variety of interior applications. Designed from the ground up for quick and easy installation in 2x2, and 2x4 conventional suspended grid ceilings for new construction or retrofit projects, the CFP features a low-profile modern design that is well-suited for offices, schools, hospitals, retail, and other commercial spaces. Next-generation thermal management of the LED driver and chipset components greatly extends the life of the fixture far beyond what is possible with existing fluorescent fixtures. While still emitting more than 80% of the original light output after 100,000 hours, the CFP flat panel luminaire will last several years without the need for costly replacement or maintenance.

Ordering Information

Example: (CFP-24-35-40-UNV-SMK)



Series	Size	Wattage/Lumen	Color Temp.	Voltage	Option
Contractor Flat Panel LED Fixture	22 2'x 2'	30 30W/3400 ^{1,2}	40 4000K	UNV 120-277V	SMK Surface Mount Kit
	24 2'x 4'	35 35W/4500 ^{1,2}			
	14 1'x 4'	30 30W/3500 ^{1,2}			

¹ Delivered Lumens (4000K)

² DLC Listed Wattage (see Page 3 for more info on models currently listed)



Talk to one of our LED consultants today!

(800) 426-3938 • (319) 653 3198

info@sitlersupplies.com

www.sitlersledsupplies.com

Deco Lighting practices a program of continuous product development, and as a result product specifications change frequently. We reserve the right to change product specifications without notice. Contact Deco for the latest product information.



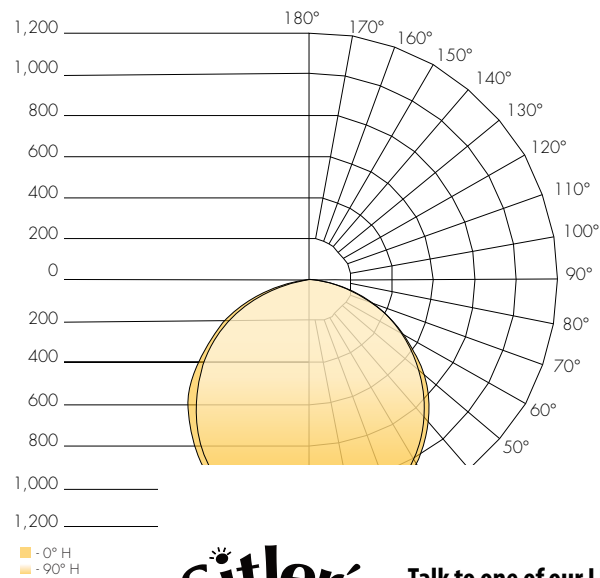
Features

- Recommended for offices, schools, hospitals, medical facilities and other commercial and institutional applications
- Delivers 125+ lumens per watt, 84+ CRI
- 0-10V Dimming Standard (10% to 100%)
- Suitable for Damp Locations, Type IC
- DLC Premium listed for utility rebates (see DLC matrix on Page 3)
- Mounting: Recessed lighting fixture (surface kit optional)
- Ambient Operating Range: -20 °C to +50°C
- UL and cUL Listed for Insulation Contact (IC)
- CE Listed, RoHS compliant, FCC Compliant (Title 47 CFR Part 15)
- Frosted diffuser lens for soft and dispersed illumination for comfort
- Power Factor >0.90; THD <20%
- Lifetime Rating: L70 - 238,000 Hrs; L80 - 149,000 Hrs
- 10-Year Limited Warranty

Photometric Data

2x2 30W 4000K

Polar Candela Distribution

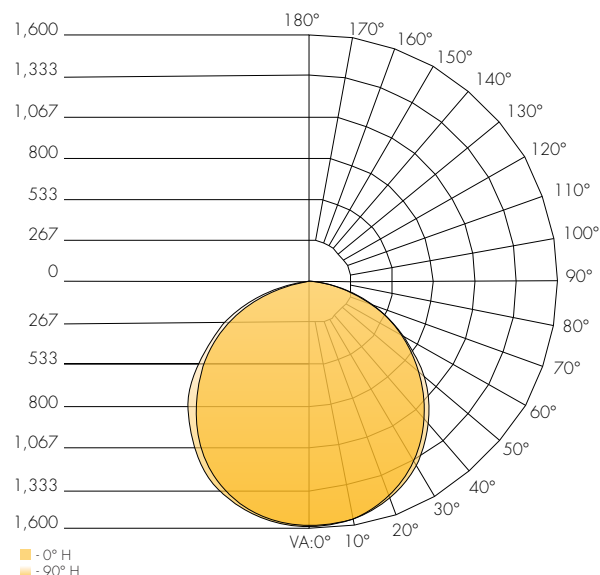


Zonal Lumen Summary

Zone	Lumens	%Luminaire
0-30	911.9	27.2%
0-40	1,496.5	44.7%
0-60	2,639.5	78.8%
60-90	702.1	21%
70-100	297.3	8.9%
90-120	2.3	0.1%
0-90	3,341.6	99.8%
90-180	6.2	0.2%
0-180	3,347.8	100%

2x4 35W 400

Polar Candela Distribution



Zonal Lumen Summary

Zone	Lumens	%Luminaire
0-30	1,222.3	27.1%
0-40	2,005.8	44.5%
0-60	3,538.5	78.6%
60-90	938.7	20.8%
70-100	397.9	8.8%
90-120	9.8	0.2%
0-90	4,477.2	99.4%
90-180	26.0	0.6%
0-180	4,503.2	100%



Talk to one of our LED consultants today!

(800) 426-3938 • (319) 653 3198

info@sitlersupplies.com

www.sitlersledsupplies.com



Talk to one of our LED consultants today!

(800) 426-3938 • (319) 653 3198

info@sitlersupplies.com

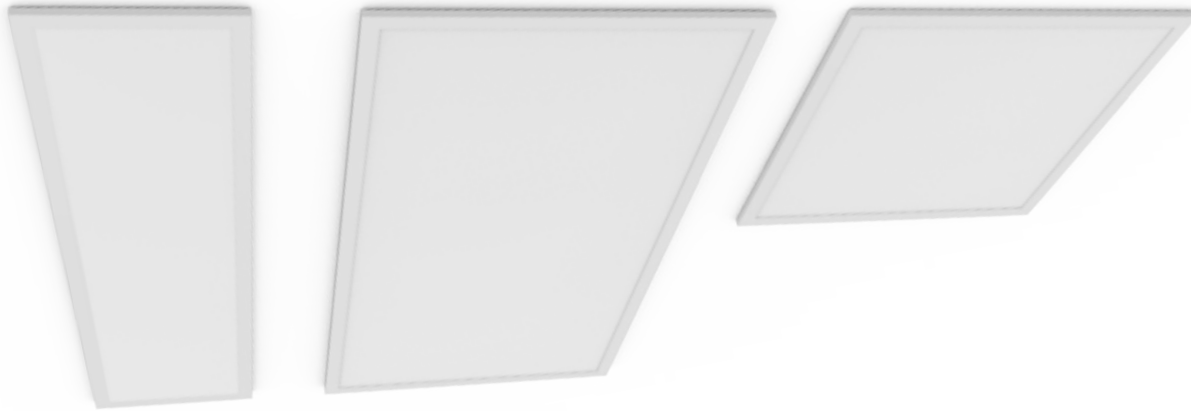
www.sitlersledsupplies.com



DLC Listed

	1x4	2x2	2x4
	30W	30W	35W
4000K	X	X	X

All Sizes



Talk to one of our LED consultants today!
 (800) 426-3938 • (319) 653 3198

info@sitlersupplies.com
 www.sitlersledsupplies.com