

Features & Benefits

- No rewiring needed
- Works with fluorescent electronic ballast (Instant Start, Programmed Start, and Dimming)*
- Long life
- High CRI
- Instant on, no delay
- Convenient and quick installation
- Utilizes existing instant start or rapid start sockets
- Compatible with controls and sensors
- Dimmable
- Works in cold temperature applications
- Nano-Plastic tube for superior optical performance
- 5 Year Warranty



* EMERGENCY BALLAST RESTRICTIONS



RetroFlex™
LED T8 LAMP • Simplicity.
Commercial Grade LED T8 Lamp

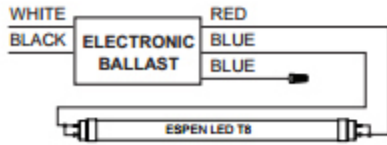
Specification Data (with Normal Ballast Factor)

Order Code	Length	Lamp Wattage	System Wattage	CCT	Initial Lumens	CRI	Beam Angle	Lamp Efficacy	System Efficacy	Life	DLC
L48T8/835/12P-EB	48	12	14	3500K	1800	83	325	135	125	50000	Yes
L48T8/840/12P-EB	48	12	14	4000K	1800	83	325	135	125	50000	Yes
L48T8/850/12P-EB	48	12	14	5000K	1800	83	325	135	125	50000	Yes
L48T8/830/12P-EB	48	12	14	3000K	1800	83	325	135	125	50000	Yes
L48T8/845/12P-EB	48	12	14	4500K	1800	83	325	135	125	50000	Yes

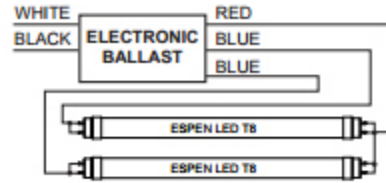
System Performance

Lamp Model	Low Ballast Factor				High Ballast Factor			
	Lamp Power	System Power	Lumen Output	Lamp Efficacy	Lamp Power	System Power	Lumen Output	Lamp Efficacy
L48T8/835/12P-EB	10	12	1380	135	16	18	2200	135
L48T8/840/12P-EB	10	12	1380	135	16	18	2200	135
L48T8/850/12P-EB	10	12	1380	135	16	18	2200	135
L48T8/830/12P-EB	10	12	1380	135	16	18	2200	135
L48T8/845/12P-EB	10	12	1380	135	16	18	2200	135

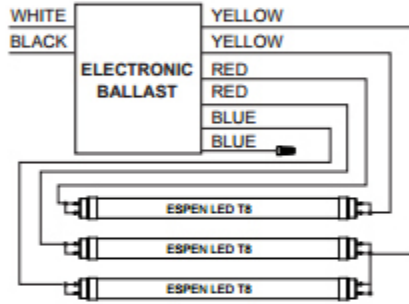
1-LAMP Instant Start Electronic Ballast



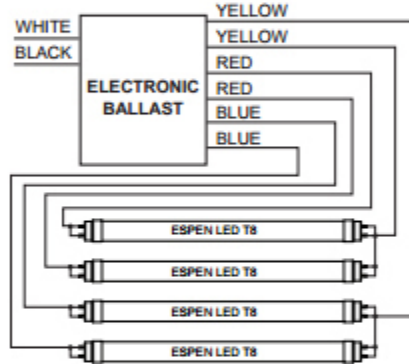
2-LAMP Instant Start Electronic Ballast



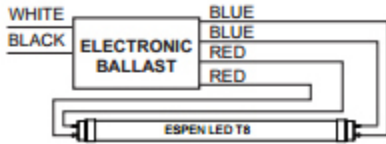
3-LAMP Instant Start Electronic Ballast



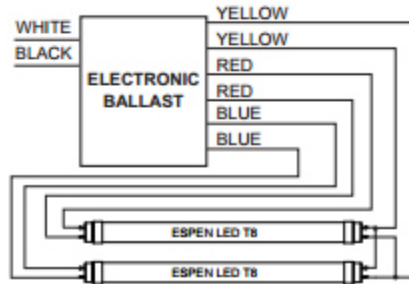
4-LAMP Instant Start Electronic Ballast



1-LAMP Programmed Start Electronic Ballast



2-LAMP Programmed Start Electronic Ballast



* Please refer to "Ballast Compatibility List" for compatible battery backup and/or emergency ballasts.

* Please refer to "Ballast Compatibility List" on Related Downloads.

Specification data is based on tests performed in a controlled environment and represents relative performance. Actual performance can vary depending on operating conditions. Application and performance data subject to change without notice. All specifications are nominal unless noted otherwise.