

Upgrade any fluorescent fixture to LED lighting without needing major modification to your existing infrastructure. LED tubes are ideal, high energy saving lighting with minimal installation time. Each LED tube is fitted with a efficient long life driver for high lumen output replacement to any traditional lighting.

SPECIFICATIONS

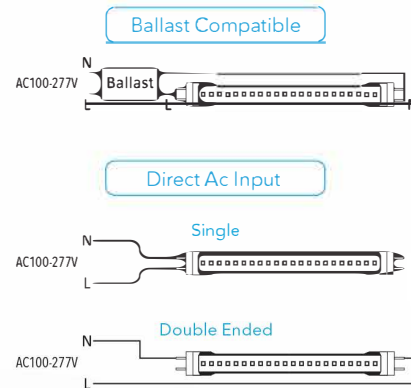
- Power Factor: 0.9104
- THD: 16.98%
- CRI: 82.2
- Warranty: 10 Years

FEATURES

- Replaces existing fluorescent T8 lamp without removing electronic ballast
- Compatible with instant-start electronic ballasts
- Environmentally friendly with no mercury
- High lumen efficiency & high CRI
- Warranty: 65,000 operating hours or 10 years
- PVC: "ShatterProof" certified for safety



3 INSTALLATION METHODS



Without Ballast

Type	Model	Voltage	Watts	Lumens	Lumens Per Watt	Lens	Color	CRI	Beam Angle
4' Tube	GLO-LT43C-12-WOB	100v-277v	12W	1982	155.45	Clear	3000K, 4000K, 5000K	>82	130°-165°
4' Tube	GLO-LT43F-12-WOB	100v-277v	12W	1855	145.04	Frosted	3000K, 4000K, 5000K	>82	130°-220°
4' Tube	GLO-LT43C-15-WOB	100v-277v	15W	2152	145.60	Clear	3000K, 4000K, 5000K	>82	130°-165°
4' Tube	GLO-LT43F-15-WOB	100v-277v	15W	1985	134.49	Frosted	3000K, 4000K, 5000K	>82	130°-220°
4' Tube	GLO-LT43C-18-WOB	100v-277v	18W	2610	146.96	Clear	3000K, 4000K, 5000K	>82	130°-165°
4' Tube	GLO-LT43F-18-WOB	100v-277v	18W	2373	134.68	Frosted	3000K, 4000K, 5000K	>82	130°-220°