

# SBCK Series

## 48"/ 96" Ballast Cover Retrofit Kit

### Features

The SBCK easily converts existing 4' and 8' fluorescent strip fixtures to enhance light levels, provide energy savings and carry standard lamps. The channel cover is formed from cold rolled, pre-painted high reflectance white finish. Lamps are secured with rotary locking lamp sockets for ease of relamping, and to reduce lamps disconnecting due to vibration or incidental contact.

### Intended Use

The SBCK Series Retrofit Kit is designed for 4' or 8' fluorescent industrial and strip fixtures and installs with simple hand tools. The universal socket bracket is designed for simple fit up to most standard fluorescent channels from 4.25" to 5.5" in width.

### Ordering Matrix

SBCK	8	T8	2L	IS	23MM
Family	Body Length	Lamp Type	Total Lamp Count	Lamp Holder	Lamp Holder Height

\*Ballast optional please specify

#### Body Length

4 = 4'  
8 = 8'

#### Lamp Holder

IS = Instant Start  
RS = Rapid Start

#### Lamp Type

T8 = T-8 Fluorescent Lamp  
T5 = T-5 Fluorescent Lamp

#### Lamp Holder Height

16mm = 16mm  
23mm = 23mm  
30mm = 30mm

#### Total Lamp Count

1 = 1 Lamp  
2 = 2 Lamp  
4 = 4 Lamps

\* Note: total lamp count per full length of fixture

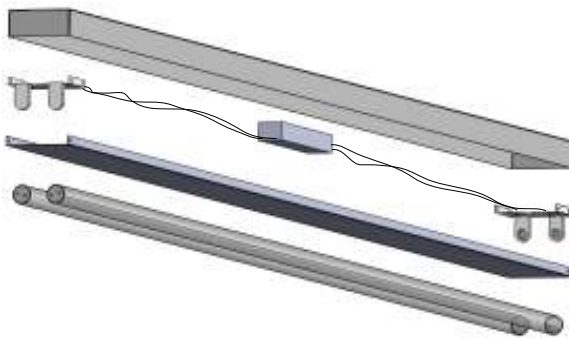


# SBCK Series

## 48"/ 96" Ballast Cover Retrofit Kit

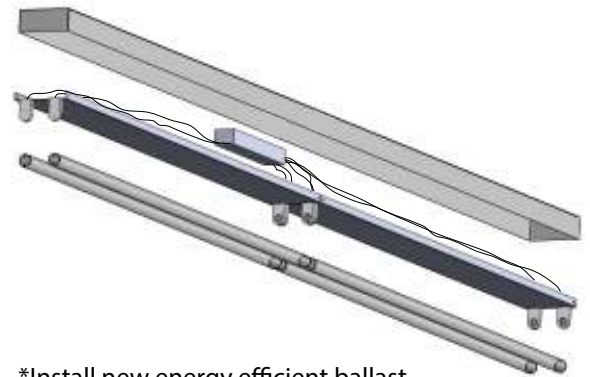
---

Before



- \*Remove existing 8ft T12 lamps
- \*Remove ballast cover
- \*Remove existing ballast, socket bar and lamp holders

After



- \*Install new energy efficient ballast
- \*Install new conversion kit to hold new lampholders
- \*Install new energy efficient lamps

