

6th Generation LED Canopy Series

DLC Premium Listed Items (Will be ready at June 2018)

6CP20L(c)(d)(e)(f)(g)(h)



6CP20L series

DESCRIPTION

Green Inova's 6th Generation Canopy Light is designed with optical lens distributing more uniform light for various applications. Wide wattage options of 20W/30W/40W/55W/80W and high luminous efficacy of up to 126LM/W, replacing metal halide/high pressure sodium of 100~400W with a 100,000 hours lifespan.

The concise and elegant housing features an impressive design, allowing hand-free wiring connection. Optimized thermal management system and separated drivers from heat sink maximizes the fixture's lifespan with a thoughtful construction.

50% labor cost saving for quick maintenance & installation for 6th Gen, widely used for parking garage lighting, stairway security lighting, pathway lighting, entryway and shopping area walkway lighting and other locations where heavy pedestrian traffic makes maintenance difficult.

COMPLIANCE

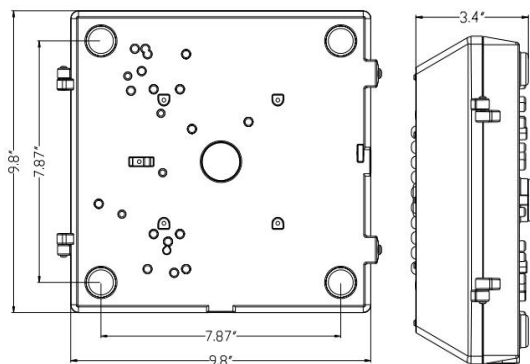
- UL/cUL listed
- LM79/LM80/IES pending

FEATURES

- Patent pending: PCT patents, US Patents, China patents
- High efficacy of up to 126 lumens per watt.
- More wattage options: 20W/30W/40W/55W/80W, up to 10,000 LM.
- Unique optical lens distributes more uniform lighting on the ground, minimizes light loss and increases luminous efficacy
- Elegant form factor with aesthetics, differentiates itself from market peers.
- Optimized thermal design, separates driver from heat sink, guarantees sufficient heat dissipation
- Thoughtful construction design, allowing hand-free wiring connection (for ceiling mount).
- Providing easy access to driver for quick maintenance, without opening light source.
- More lightweight thanks to finless housing design, reducing dust retention.
- High purity aluminum (ADC 12) die-cast housing brings higher thermal conductivity.
- Mountings: quick plate (for junction box) mount, ceiling mount, pendant mount.
- More options: Dimmable, microwave sensor (compatible with remote controller), photocell, surge protector, 347-480V.
- UL, cUL, utility certificate pending and still meeting low pricing.

SENSOR

- **120VAC/100-277VAC Photocell Sensor:** Applicable to control passage lighting and doorway lighting automatically in accordance with the ambient lighting level. Operating temperature of -40°C~+70°C.
- **Motion/Daylight Sensor:** 0-10V microwave-based motion sensor with integral photocontrol, allowing for three output states: 100%; 10/20/30/50% output; or 0% output. Detection area, hold time, daylight threshold, and dimming level all have DIP switches. Operating temperature of -35°C~+70°C.



* This product, or selected versions of this product, meet the standards listed below. Please consult factory for your specific



Due to our continued efforts to improve our products, product specifications are subject to change without notice.



Talk to one of our LED consultants today!
(800) 426-3938 • (319) 653 3198

info@sitlersupplies.com
www.sitlersledsupplies.com



© 2018, Green Inova® LED Lighting. All rights reserved.

6th Generation LED Canopy Series

SPECIFICATIONS

Items	Details
Model No.	6CP20L(c)(d)(e)(f)(g)(h)
Input Power	20W
Input Voltage	AC100~277V, 50~60 Hz
Luminous Flux	2,520 LM
LED Source	3030
Color Temp.:	4000K/4500K/5000K
CRI	≥73
Driver	UL/cUL listed driver
Power Factor	>0.9
Dimming	Available
Fixture Material	Die-cast aluminum
Fixture Surface	Powder coating appearance
IP Rating	IP65
Operating Temp	- 35°C to 45°C
Replacement	75W MH/HPS
Energy saving	60% ~ 80%
Sensors	Photocell/Motion sensor available
Dimension	9.8" L x 9.8" W x 3.4" H
Testing Reports	LM79, LM80, IES available
Warranty	6 years warranty
Qualifications	UL/cUL(E352762), Utility certificates pending

Ordering Guide

EXAMPLE: 6CP20L(c)(d)(e)(f)(g)(h)

Light type	Wattage	Voltage	CCT	Finish	Driver	Option 1	Option 2	Option 3	Option 4	
6CP=LED Slim canopy light	20=20W 30=30W 40=40W 55=55W 80=80W	L=100-277V H=347-480V	40=4000K 45=4500K 50=5000K	B=Bronze W=White	1=cULs driver 2=Mean well driver 5=伟鹏电源	P=Photocell sensor Or Blank	D=Dimmable Or Blank	M=Motion sensor Or Blank	E=BBu or Blank	

* Feel free to contact Green Inova for more details.

Due to our continued efforts to improve our products, product specifications are subject to change without notice.

6th Generation LED Canopy Series

DLC Premium Listed Items (Will be ready at June 2018)

6CP30L(c)(d)(e)(f)(g)(h)



6CP30L series

DESCRIPTION

Green Inova's 6th Generation Canopy Light is designed with optical lens distributing more uniform light for various applications. Wide wattage options of 20W/30W/40W/55W/80W and high luminous efficacy of up to 126LM/W, replacing metal halide/high pressure sodium of 100~400W with a 100,000 hours lifespan.

The concise and elegant housing features an impressive design, allowing hand-free wiring connection. Optimized thermal management system and separated drivers from heat sink maximizes the fixture's lifespan with a thoughtful construction.

50% labor cost saving for quick maintenance & installation for 6th Gen, widely used for parking garage lighting, stairway security lighting, pathway lighting, entryway and shopping area walkway lighting and other locations where heavy pedestrian traffic makes maintenance difficult.

COMPLIANCE

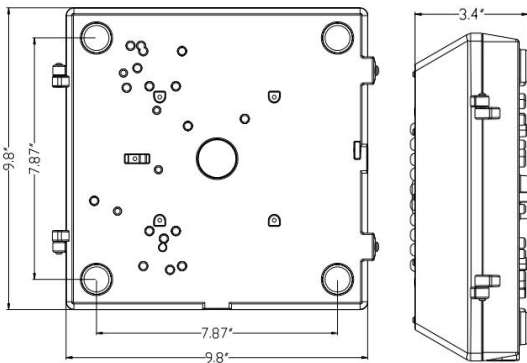
- UL/cUL listed
- LM79/LM80/IES pending

FEATURES

- Patent pending: PCT patents, US Patents, China patents
- High efficacy of up to 126 lumens per watt.
- More wattage options: 20W/30W/40W/55W/80W, up to 10,000 LM.
- Unique optical lens distributes more uniform lighting on the ground, minimizes light loss and increases luminous efficacy
- Elegant form factor with aesthetics, differentiates itself from market peers.
- Optimized thermal design, separates driver from heat sink, guarantees sufficient heat dissipation
- Thoughtful construction design, allowing hand-free wiring connection (for ceiling mount).
- Providing easy access to driver for quick maintenance, without opening light source.
- More lightweight thanks to finless housing design, reducing dust retention.
- High purity aluminum (ADC 12) die-cast housing brings higher thermal conductivity.
- Mountings: quick plate (for junction box) mount, ceiling mount, pendant mount.
- More options: Dimmable, microwave sensor (compatible with remote controller), photocell, surge protector, 347-480V.

SENSOR

- **120VAC/100-277VAC Photocell Sensor:** Applicable to control passage lighting and doorway lighting automatically in accordance with the ambient lighting level. Operating temperature of -40°C~+70°C.
- **Motion/Daylight Sensor:** 0-10V microwave-based motion sensor with integral photocontrol, allowing for three output states: 100%; 10/20/30/50% output; or 0% output. Detection area, hold time, daylight threshold, and dimming level all have DIP switches. Operating temperature of -35°C~+70°C.



* This product, or selected versions of this product, meet the standards listed below. Please consult factory for your specific requirements.



Due to our continued efforts to improve our products, product specifications are subject to change without notice.



Talk to one of our LED consultants today!
(800) 426-3938 • (319) 653 3198

info@sitlersupplies.com
www.sitlersledsupplies.com



© 2018, Green Inova® LED Lighting. All rights reserved.

6th Generation LED Canopy Series

SPECIFICATIONS

Items	Details
Model No.	6CP30L(c)(d)(e)(f)(g)(h)
Input Power	30W
Input Voltage	AC100~277V, 50~60 Hz
Luminous Flux	3780 LM
LED Source	3030
Color Temp.:	4000K/4500K/5000K
CRI	≥73
Driver	UL/cUL listed driver
Power Factor	>0.9
Dimming	Available
Fixture Material	Die-cast aluminum
Fixture Surface	Powder coating appearance
IP Rating	IP65
Operating Temp	- 35°C to 45°C
Replacement	100W MH/HPS
Energy saving	60% ~ 80%
Sensors	Photocell/Motion sensor available
Dimension	9.8" L x 9.8" W x 3.4" H
Testing Reports	LM79, LM80, IES available
Warranty	6 years warranty
Qualifications	UL/cUL(E352762), Utility certificates pending

Ordering Guide

EXAMPLE: 6CP30L(c)(d)(e)(f)(g)(h)

Light type	Wattage	Voltage	CCT	Finish	Driver	Option 1	Option 2	Option 3	Option 4	
6CP=LED Slim canopy light	20=20W 30=30W 40=40W 55=55W 80=80W	L=100-277V H=347-480V	40=4000K 45=4500K 50=5000K	B=Bronze W=White	1=cULs driver 2=Mean well driver 5=伟鹏电源	P=Photocell sensor Or Blank	D=Dimmable Or Blank	M=Motion sensor Or Blank	E=BBu or Blank	

* Feel free to contact Green Inova for more details.

Due to our continued efforts to improve our products, product specifications are subject to change without notice.

6th Generation LED Canopy

DLC Premium Listed Items (Will be ready at June 2018)

6CP40L(c)(d)(e)(f)(g)(h)



6CP40L series

DESCRIPTION

Green Inova's 6th Generation Canopy Light is designed with optical lens distributing more uniform light for various applications. Wide wattage options of 20W/30W/40W/55W/80W and high luminous efficacy of up to 126LM/W, replacing metal halide/high pressure sodium of 100~400W with a 100,000 hours lifespan.

The concise and elegant housing features an impressive design, allowing hand-free wiring connection. Optimized thermal management system and separated drivers from heat sink maximizes the fixture's lifespan with a thoughtful construction.

50% labor cost saving for quick maintenance & installation for 6th Gen, widely used for parking garage lighting, stairway security lighting, pathway lighting, entryway and shopping area walkway lighting and other locations where heavy pedestrian traffic makes maintenance difficult.

COMPLIANCE

- UL/cUL listed
- LM79/LM80/IES pending

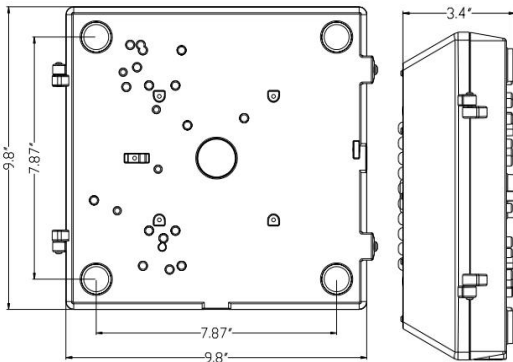
FEATURES

- Patent pending: PCT patents, US Patents, China patents
- High efficacy of up to 126 lumens per watt.
- More wattage options: 20W/30W/40W/55W/80W, up to 10,000 LM.
- Unique optical lens distributes more uniform lighting on the ground, minimizes light loss and increases luminous efficacy
- Elegant form factor with aesthetics, differentiates itself from market peers.
- Optimized thermal design, separates driver from heat sink, guarantees sufficient heat dissipation
- Thoughtful construction design, allowing hand-free wiring connection (for ceiling mount).
- Providing easy access to driver for quick maintenance, without opening light source.
- More lightweight thanks to finless housing design, reducing dust retention.
- High purity aluminum (ADC 12) die-cast housing brings higher thermal conductivity.
- Mountings: quick plate (for junction box) mount, ceiling mount, pendant mount.
- More options: Dimmable, microwave sensor (compatible with remote controller), photocell, surge protector, 347-480V

SENSOR

• **120VAC/100-277VAC Photocell Sensor:** Applicable to control passage lighting and doorway lighting automatically in accordance with the ambient lighting level. Operating temperature of -40°C~+70°C.

• **Motion/Daylight Sensor:** 0-10V microwave-based motion sensor with integral photocontrol, allowing for three output states: 100%; 10/20/30/50% output; or 0% output. Detection area, hold time, daylight threshold, and dimming level all have DIP switches. Operating temperature of -35°C~+70°C.



* This product, or selected versions of this product, meet the standards listed below. Please consult factory for your specific requirements.



Due to our continued efforts to improve our products, product specifications are subject to change without notice.



Talk to one of our LED consultants today!
(800) 426-3938 • (319) 653 3198

info@sitalersupplies.com

www.sitalersledsupplies.com



© 2018, Green Inova® LED Lighting. All rights reserved.

6th Generation LED Canopy

SPECIFICATIONS

Items	Details
Model No.	6CP40L(c)(d)(e)(f)(g)(h)
Input Power	40W
Input Voltage	AC100~277V, 50~60 Hz
Luminous Flux	5040 LM
LED Source	3030
Color Temp.:	4000K/4500K/5000K
CRI	≥73
Driver	UL/cUL listed driver
Power Factor	>0.9
Dimming	Available
Fixture Material	Die-cast aluminum
Fixture Surface	Powder coating appearance
IP Rating	IP65
Operating Temp	- 35°C to 45°C
Replacement	175W MH/HPS
Energy saving	60% ~ 80%
Sensors	Photocell/Motion sensor available
Dimension	9.8" L x 9.8" W x 3.4" H
Testing Reports	LM79, LM80, IES available
Warranty	6 years warranty
Qualifications	UL/cUL(E352762), Utility certificates pending

Ordering Guide

EXAMPLE: 6CP40L(c)(d)(e)(f)(g)(h)

Light type	Wattage	Voltage	CCT	Finish	Driver	Option 1	Option 2	Option 3	Option 4
6CP=LED Slim canopy light	20=20W 30=30W 40=40W 55=55W 80=80W	L=100-277V H=347-480V	40=4000K 45=4500K 50=5000K	B=Bronze W=White	1=cULs driver 2=Mean well driver 5=伟鹏电源	P=Photocell sensor Or Blank	D=Dimmable Or Blank	M=Motion sensor Or Blank	E=BBu or Blank

* Feel free to contact Green Inova for more details.

Due to our continued efforts to improve our products, product specifications are subject to change without notice.

6th Generation LED Canopy Series

DLC Premium Listed Items (Will be ready at June 2018)

6CP55L(c)(d)(e)(f)(g)(h)



6CP55L series

DESCRIPTION

Green Inova's 6th Generation Canopy Light is designed with optical lens distributing more uniform light for various applications. Wide wattage options of 20W/30W/40W/55W/80W and high luminous efficacy of up to 126LM/W, replacing metal halide/high pressure sodium of 100~400W with a 100,000 hours lifespan.

The concise and elegant housing features an impressive design, allowing hand-free wiring connection. Optimized thermal management system and separated drivers from heat sink maximizes the fixture's lifespan with a thoughtful construction.

50% labor cost saving for quick maintenance & installation for 6th Gen, widely used for parking garage lighting, stairway security lighting, pathway lighting, entryway and shopping area walkway lighting and other locations where heavy pedestrian traffic makes maintenance difficult.

COMPLIANCE

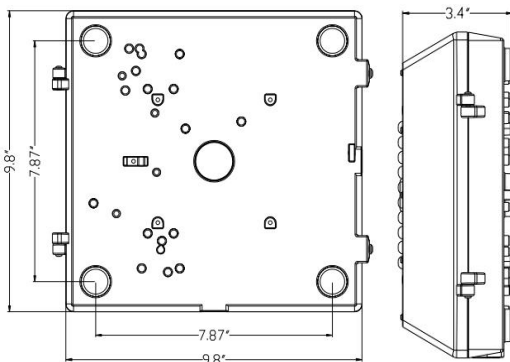
- UL/cUL listed
- LM79/LM80/IES pending

FEATURES

- Patent pending: PCT patents, US Patents, China patents
- High efficacy of up to 126 lumens per watt.
- More wattage options: 20W/30W/40W/55W/80W, up to 10,000 LM.
- Unique optical lens distributes more uniform lighting on the ground, minimizes light loss and increases luminous efficacy
- Elegant form factor with aesthetics, differentiates itself from market peers.
- Optimized thermal design, separates driver from heat sink, guarantees sufficient heat dissipation
- Thoughtful construction design, allowing hand-free wiring connection (for ceiling mount).
- Providing easy access to driver for quick maintenance, without opening light source.
- More lightweight thanks to finless housing design, reducing dust retention.
- High purity aluminum (ADC 12) die-cast housing brings higher thermal conductivity.
- Mountings: quick plate (for junction box) mount, ceiling mount, pendant mount.
- More options: Dimmable, microwave sensor (compatible with remote controller), photocell, surge protector, 347-480V.
- UL, cUL, utility certificate pending and still meeting low pricing.

SENSOR

- **120VAC/100-277VAC Photocell Sensor:** Applicable to control passage lighting and doorway lighting automatically in accordance with the ambient lighting level. Operating temperature of -40°C~+70°C.
- **Motion/Daylight Sensor:** 0-10V microwave-based motion sensor with integral photocontrol, allowing for three output states: 100%; 10/20/30/50% output; or 0% output. Detection area, hold time, daylight threshold, and dimming level all have DIP switches. Operating temperature of -35°C~+70°C.



* This product, or selected versions of this product, meet the standards listed below. Please consult factory for your specific requirements.



Due to our continued efforts to improve our products, product specifications are subject to change without notice.

6th Generation LED Canopy Series

SPECIFICATIONS

Items	Details
Model No.	6CP55L(c)(d)(e)(f)(g)(h)
Input Power	55W
Input Voltage	AC100~277V, 50~60 Hz
Luminous Flux	6552 LM
LED Source	3030
Color Temp.:	4000K/4500K/5000K
CRI	≥73
Driver	UL/cUL listed driver
Power Factor	>0.9
Dimming	Available
Fixture Material	Die-cast aluminum
Fixture Surface	Powder coating appearance
IP Rating	IP65
Operating Temp	- 35°C to 45°C
Replacement	250W MH/HPS
Energy saving	60% ~ 80%
Sensors	Photocell/Motion sensor available
Dimension	9.8" L x 9.8" W x 3.4" H
Testing Reports	LM79, LM80, IES available
Warranty	6 years warranty
Qualifications	UL/cUL(E352762), Utility certificates pending

Ordering Guide

EXAMPLE: 6CP55L(c)(d)(e)(f)(g)(h)

Light type	Wattage	Voltage	CCT	Finish	Driver	Option 1	Option 2	Option 3	Option 4
6CP=LED Slim canopy light	20=20W 30=30W 40=40W 55=55W 80=80W	L=100-277V H=347-480V	40=4000K 45=4500K 50=5000K	B=Bronze W=White	1=cULs driver 2=Mean well driver 5=伟鹏电源	P=Photocell sensor Or Blank	D=Dimmable Or Blank	M=Motion sensor Or Blank	E=BBu or Blank

* Feel free to contact Green Inova for more details.

Due to our continued efforts to improve our products, product specifications are subject to change without notice.

6th Generation LED Canopy Series

DLC Premium Listed Items (Will be ready at June 2018)

6CP80L(c)(d)(e)(f)(g)(h)



6CP80L series

DESCRIPTION

Green Inova's 6th Generation Canopy Light is designed with optical lens distributing more uniform light for various applications. Wide wattage options of 20W/30W/40W/55W/80W and high luminous efficacy of up to 126LM/W, replacing metal halide/high pressure sodium of 100~400W with a 100,000 hours lifespan.

The concise and elegant housing features an impressive design, allowing hand-free wiring connection. Optimized thermal management system and separated drivers from heat sink maximizes the fixture's lifespan with a thoughtful construction.

50% labor cost saving for quick maintenance & installation for 6th Gen, widely used for parking garage lighting, stairway security lighting, pathway lighting, entryway and shopping area walkway lighting and other locations where heavy pedestrian traffic makes maintenance difficult.

COMPLIANCE

- UL/cUL listed
- LM79/LM80/IES pending

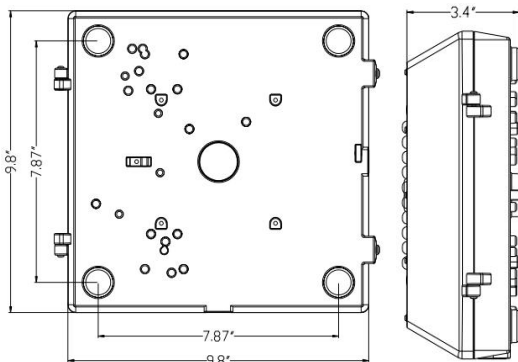
FEATURES

- Patent pending: PCT patents, US Patents, China patents
- High efficacy of up to 126 lumens per watt.
- More wattage options: 20W/30W/40W/55W/80W, up to 10,000 LM.
- Unique optical lens distributes more uniform lighting on the ground, minimizes light loss and increases luminous efficacy
- Elegant form factor with aesthetics. differentiates itself from market peers.
- Optimized thermal design, separates driver from heat sink, guarantees sufficient heat dissipation
- Thoughtful construction design, allowing hand-free wiring connection (for ceiling mount).
- Providing easy access to driver for quick maintenance, without opening light source.
- More lightweight thanks to finless housing design, reducing dust retention.
- High purity aluminum (ADC 12) die-cast housing brings higher thermal conductivity.
- Mountings: quick plate (for junction box) mount, ceiling mount, pendant mount.
- More options: Dimmable, microwave sensor (compatible with remote controller), photocell, surge protector, 347-480V.
- UL, cUL, utility certificate pending and still meeting low pricing.

SENSOR

● **120VAC/100-277VAC Photocell Sensor:** Applicable to control passage lighting and doorway lighting automatically in accordance with the ambient lighting level. Operating temperature of -40°C~+70°C.

● **Motion/Daylight Sensor:** 0-10V microwave-based motion sensor with integral photocontrol, allowing for three output states: 100%; 10/20/30/50% output; or 0% output. Detection area, hold time, daylight threshold, and dimming level all have DIP switches. Operating temperature of -35°C~+70°C.



* This product, or selected versions of this product, meet the standards listed below. Please consult factory for your specific requirements.



Due to our continued efforts to improve our products, product specifications are subject to change without notice.



Talk to one of our LED consultants today!
(800) 426-3938 • (319) 653 3198

info@sitlersupplies.com
www.sitlersledsupplies.com



© 2018, Green Inova® LED Lighting. All rights reserved.

6th Generation LED Canopy Series

SPECIFICATIONS

Items	Details
Model No.	6CP80L(c)(d)(e)(f)(g)(h)
Input Power	80W
Input Voltage	AC100~277V, 50~60 Hz
Luminous Flux	10080 LM
LED Source	3030
Color Temp.:	4000K/4500K/5000K
CRI	≥73
Driver	UL/cUL listed driver
Power Factor	>0.9
Dimming	Available
Fixture Material	Die-cast aluminum
Fixture Surface	Powder coating appearance
IP Rating	IP65
Operating Temp	- 35°C to 45°C
Replacement	400W MH/HPS
Energy saving	60% ~ 80%
Sensors	Photocell/Motion sensor available
Dimension	9.8" L x 9.8" W x 3.4" H
Testing Reports	LM79, LM80, IES available
Warranty	6 years warranty
Qualifications	UL/cUL(E352762), Utility certificates pending

Ordering Guide

EXAMPLE: 6CP80L(c)(d)(e)(f)(g)(h)

Light type	Wattage	Voltage	CCT	Finish	Driver	Option 1	Option 2	Option 3	Option 4	Option 5
6CP=LED Slim canopy light	20=20W 30=30W 40=40W 55=55W 80=80W	L=100-277V H=347-480V	40=4000K 45=4500K 50=5000K	B=Bronze W=White	1=cULs driver 2=Mean well driver 5=伟鹏电源	P=Photocell sensor Or Blank	D=Dimmable Or Blank	M=Motion sensor Or Blank	E=BBu or Blank	

* Feel free to contact Green Inova for more details.

Due to our continued efforts to improve our products, product specifications are subject to change without notice.