



## Applications:

Parking structures, storage areas, shopping area walkways, entryway, and low level security.

## Features

- Sealed die-casting profile for indoor and outdoor applications.
- Voltage is 120-277V.
- Lumen output from 5300lm with efficacy to 118lm/W.
- Increase energy savings with bi-level PIR sensor.
- Replacing 100W MH.
- Operating temperature is -40°C to 40°C (-40°F to 104°F).
- UL/cUL wet location listed and DLC qualified.



## PERFORMANCE DATA

Luminaire	Ordering	Rated	Wattage	CCT	Initial	Luminaire	CRI	Power	0-10V Dimmable	Motion Sensor	Emergenc	Certificate
Type	Code	Voltage(VAC)	(W)		Lumens(lm)	Efficacy(lpw)		Factor			v	
Canopy	MCP0445W27V40KD*	120-277	45	4000K	5000	111	70	0.9	NO	NO	NO	UL/DLC
Canopy	MCP0445W27V40KDD	120-277	45	4000K	5000	111	70	0.9	YES	NO	NO	UL/DLC
Canopy	MCP0445W27V40KDM	120-277	45	4000K	5000	111	70	0.9	NO	YES	NO	UL/DLC
Canopy	MCP0445W27V40KDB	120-277	45	4000K	5000	111	70	0.9	NO	NO	YES	UL/DLC
Canopy	MCP0445W27V40KDDB	120-277	45	4000K	5000	111	70	0.9	YES	NO	YES	UL/DLC
Canopy	MCP0445W27V40KDMB	120-277	45	4000K	5000	111	70	0.9	NO	YES	YES	UL/DLC
Canopy	MCP0445W27V40KDMD	120-277	45	4000K	5000	111	70	0.9	YES	YES	NO	UL/DLC
Canopy	MCP0445W27V50KD	120-277	45	5000K	5300	118	70	0.9	NO	NO	NO	UL/DLC
Canopy	MCP0445W27V50KDD	120-277	45	5000K	5300	118	70	0.9	YES	NO	NO	UL/DLC
Canopy	MCP0445W27V50KDM	120-277	45	5000K	5300	118	70	0.9	NO	YES	NO	UL/DLC
Canopy	MCP0445W27V50KDB	120-277	45	5000K	5300	118	70	0.9	NO	NO	YES	UL/DLC
Canopy	MCP0445W27V50KDDB	120-277	45	5000K	5300	118	70	0.9	YES	NO	YES	UL/DLC
Canopy	MCP0445W27V50KDMB	120-277	45	5000K	5300	118	70	0.9	NO	YES	YES	UL/DLC
Canopy	MCP0445W27V50KDMD	120-277	45	5000K	5300	118	70	0.9	YES	YES	NO	UL/DLC
Canopy	MCP0445W27V50KDMDB	120-277	45	5000K	5300	118	70	0.9	YES	YES	YES	UL/DLC

Note: D\* Dark Bronze finish color is inventory color, please consult factory for lead time if other color is needed.

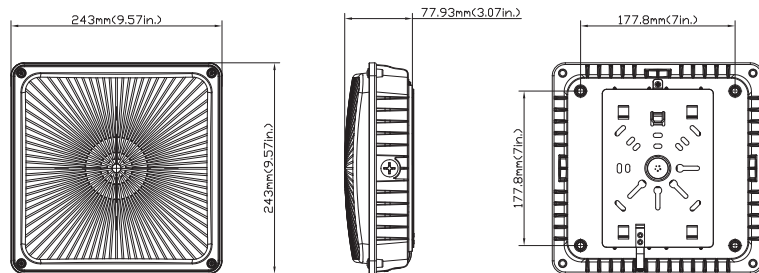
## ELECTRICAL DATA

Number Of Drivers	Driver Current (Amps)	Nominal Power (W)	INPUT VOLTAGE (V)	CURRENT (Amps)
1	1.12	45	120	0.38
		45	208	0.22
		45	240	0.19
		45	277	0.16

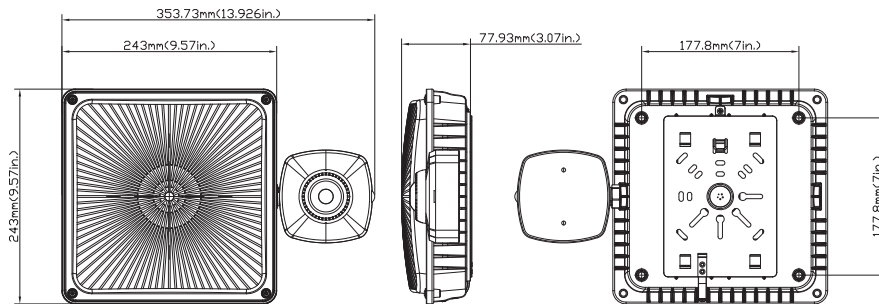
## DIMENSION

unit: inch/mm

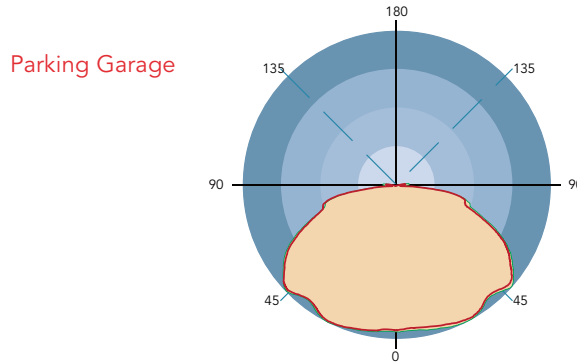
Weight: 4.74lb



Weight: 5.18lb



## DISTRIBUTION



## ORDERING GUIDE

Example: MCP0445W27V40KDMDDB

Fixture Type	Power Consumption	Input Voltage	CCT	Finish	Sensor (Option)	Dimmable(Option)	Emergency Batter(Option)
<input type="checkbox"/>	<input type="checkbox"/>	<input type="checkbox"/>	<input type="checkbox"/>	<input type="checkbox"/>	<input type="checkbox"/>	<input type="checkbox"/>	<input type="checkbox"/>
MCP04 MCP Series	45W 45Watts	27V 120-277V	40K 4000K 50K 5000K	D Dark Bronze B Black W White SG Silver Gray	Blank Without Sensor M With Sensor	D 0-10 Dimmable Blank NON Dimmable	B With Battery Blank Without Battery