

iGLO LED Delta Shoebox Series - 150W Premium

ENVIRONMENTALLY FRIENDLY, ENERGY EFFICIENT

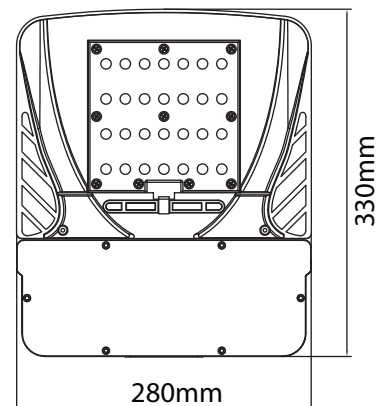
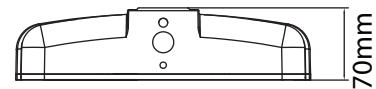


FC **RoHS**



Features

- UL, FCC, RoHS certificates
- High CRI, input voltage 100-277VAC
- No UV or IR in the beam
- Easy to install and operate
- Energy saving, long lifespan
- Light is soft and uniform, safe for eyes
- Instant start, NO flickering, NO humming
- Green and eco-friendly without mercury.



Applications

Outdoor basketball court, tennis court, Badminton court, football fields; school playgrounds, stadiums; Community leisure entertainment plaza, road lamp etc.

Talk to one of our LED consultants today!
(800) 426-3938 • (319) 653 3198

info@sitlersupplies.com
www.sitlersledsupplies.com



iGLO LED Delta Shoebox Series - 150W Premium

ENVIRONMENTALLY FRIENDLY, ENERGY EFFICIENT



PRODUCT SPECIFICATIONS

iGLO LED Delta Shoebox Series:	GL150WDELTASB[1,2,3,4]JIA5000KUDX-P
Mounting Installation:	1: Square Pole Mounting 2: Round Pole Mounting 3: Slipfitter Mounting 4: Trunnion Mounting
Wattage:	150W
Lumens:	20000 LM
CCT:	5000K
Input Voltage:	100-277VAC, 50/60Hz
Power Factor:	>0.90
Efficacy:	133 lm/w
CRI:	70
THD:	14%
Dimmable:	0-10V Dimming
Dimensions:	330*280*70mm
Operating Temperature:	-40° C to 50° C
Housing Color:	Bronze, White, Gray, Black
Certificates:	UL, RoHS, FCC
Warranty:	3 Years

Size	Qty/Carton	Gross Weight	Net Weight
545*345*205 mm	1	7 kg/CTN	4.5 kg/PCS

Talk to one of our LED consultants today!
(800) 426-3938 • (319) 653 3198

info@sitlersupplies.com
www.sitlersledsupplies.com

